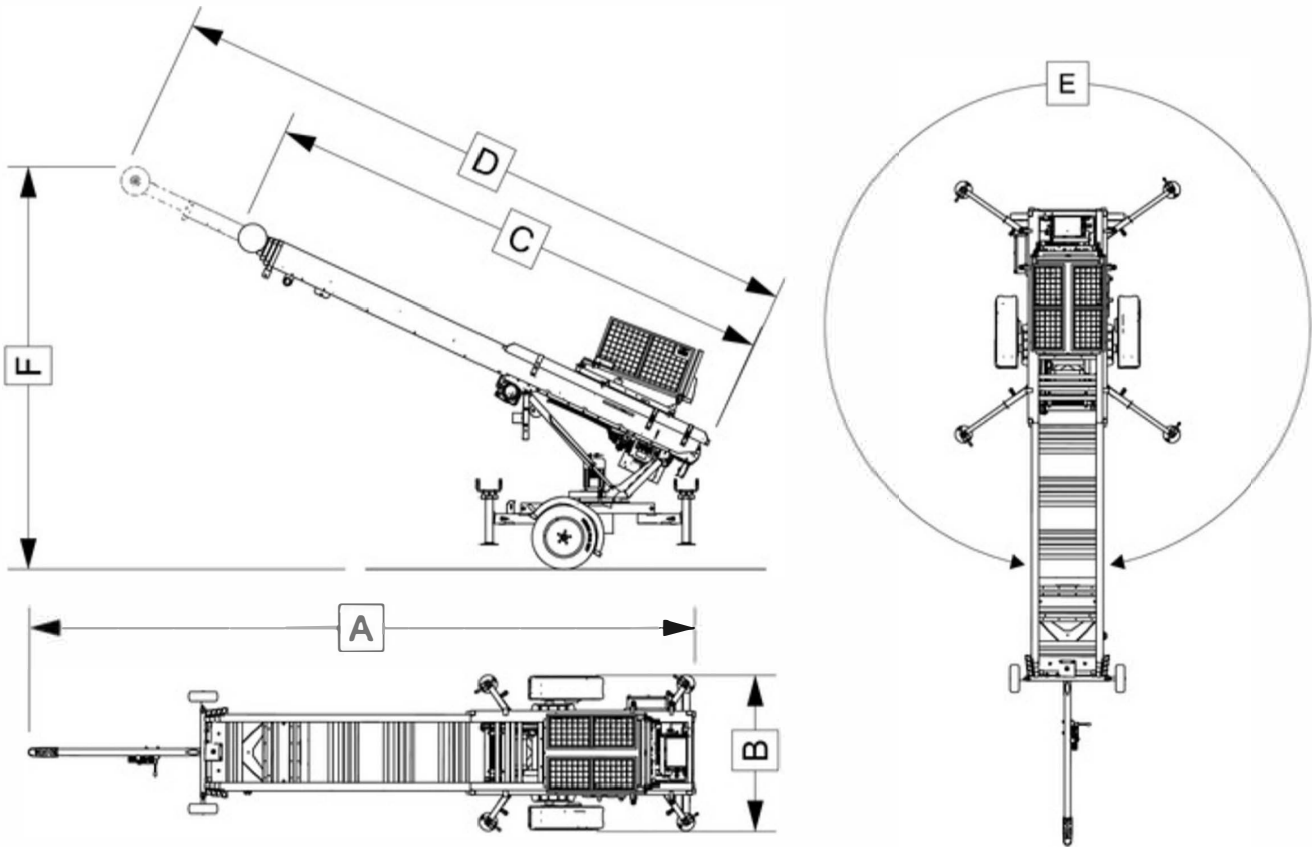


3 Technical data

3.1 Dimensions

3009-003

3.1.1 Dimensions



Measurement	Designation	18 WH / 18 WH-M		Unit
A	Length in transport position	5100		mm
B	Width in transport position	1400		mm
C	Minimum extendable length of the boom	4450		mm
D	Maximum extendable length of the boom	Approx. 17,300		mm
E	Maximum swivel range of the boom	360		°
F	Maximum installation height	Approx. 18,000		mm